

# FTN SYSTEM

Product Catalog

## FTN External System

- FTN Narrow
- FTN Regular
- FTN Wide
- FTN T-Wide
- FTN Kit

※ This catalog does not contain all products of DIO Corporation.  
Please check with your local sales office order products.



# FTN System

## FTN External System

FTN External System	008
FTN Surgical Kit	040

# FTN External System

## N Narrow



### Cement / Screw - Retained Restorations



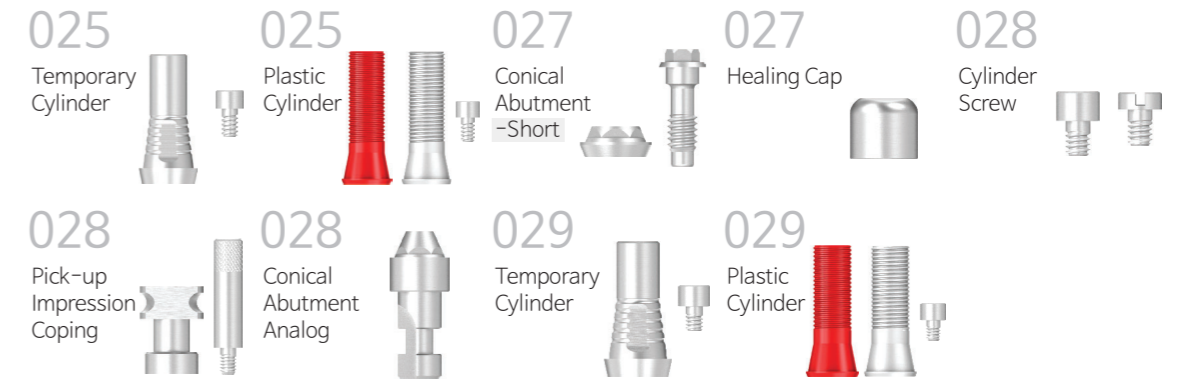
## R Regular



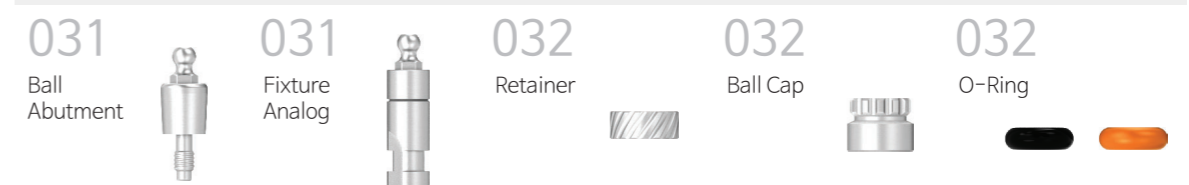
### Cement / Screw - Retained Restorations



### Cement / Screw - Retained Restorations (Conical Abutment-Long/Short)



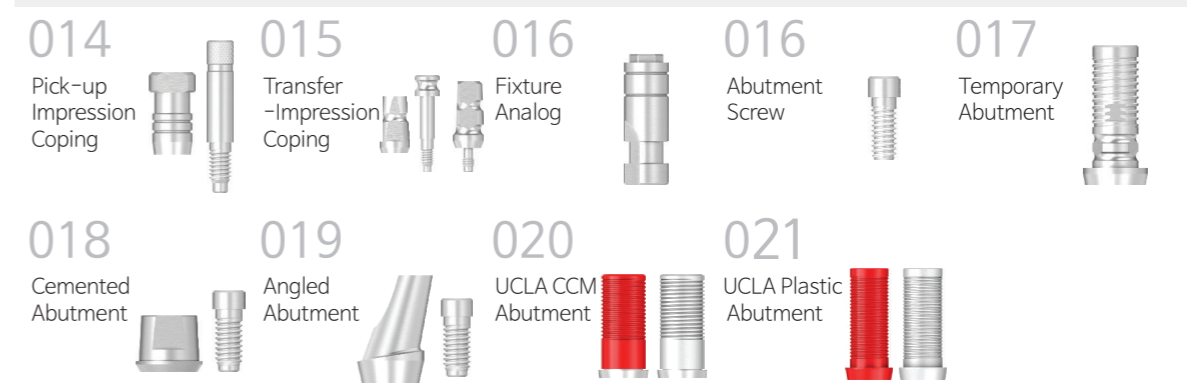
### Overdenture Restorations



## W Wide



### Cement / Screw - Retained Restorations



### Cement / Screw - Retained Restorations (Conical Abutment-Short)



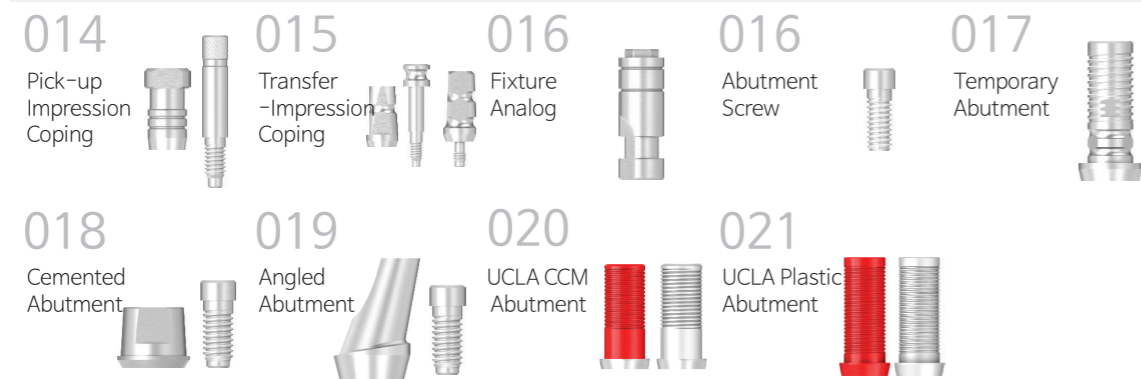
# FTN External System



## W T-Wide



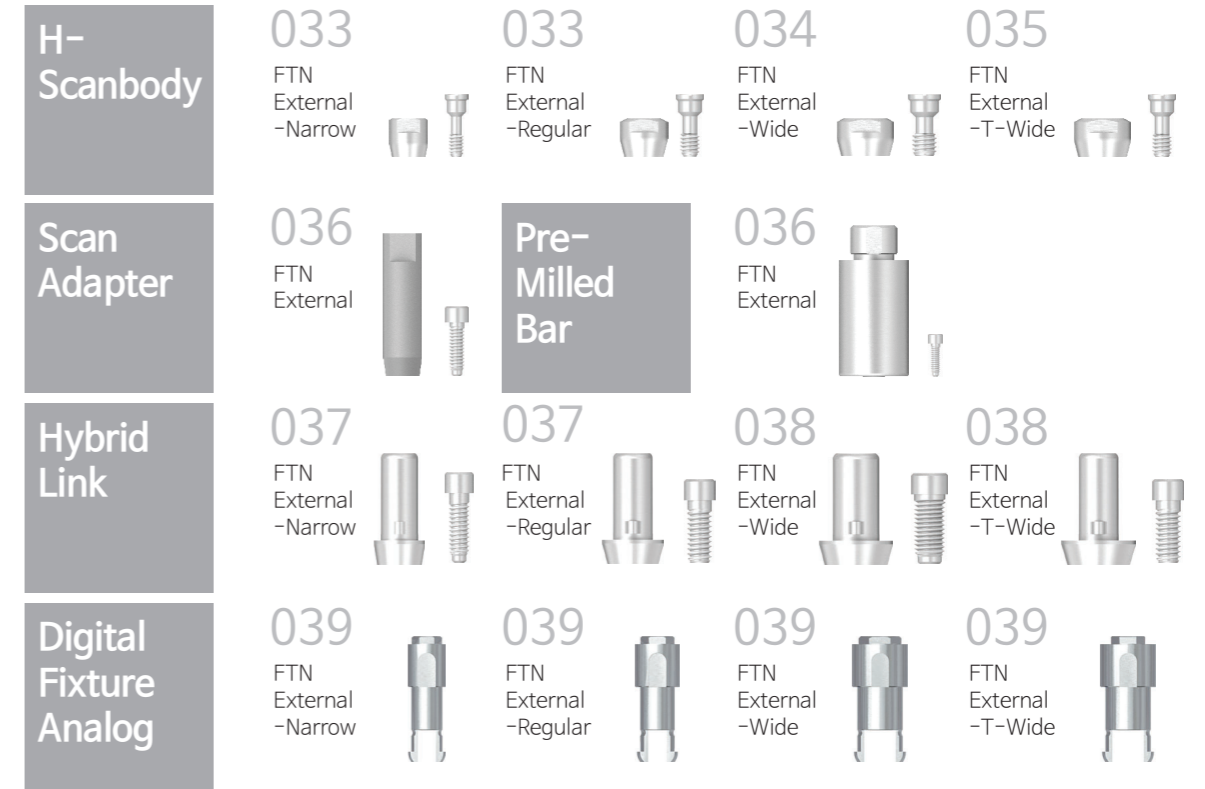
### Cement / Screw - Retained Restorations



### Cement / Screw - Retained Restorations (Conical Abutment-Short)

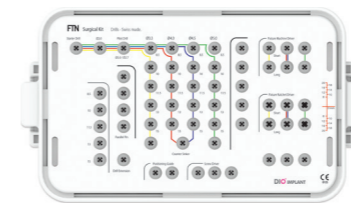


# Digital Materials



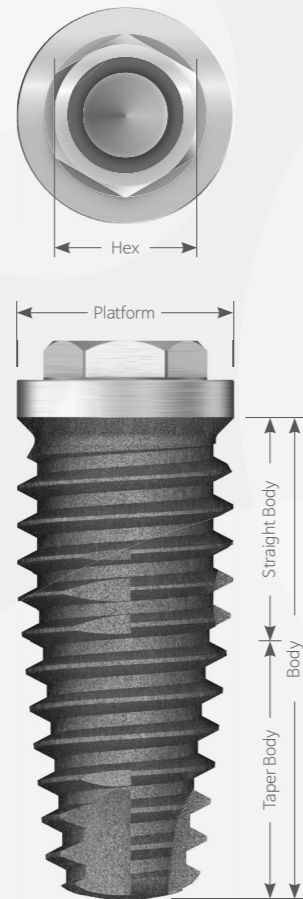
# Surgical Kit

040 FTN Surgical Kit



# FTN External System

FTN



### Compatibility of abutment

External Hex connection that is compatible with Branemark System.

### Root Type Body Design

Minimize possibility of damaging of nearby dental root and fenestration in labial bone. Implant can be placed immediately upon extraction of tooth because it has similar shape of root as natural dental root.

### No-Mount System

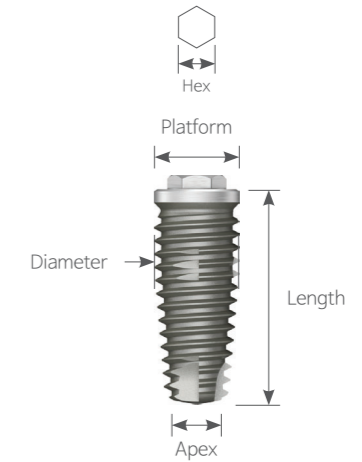
A mount-free dental implants remove the burden of having to remove the mount during surgery and shorten time of surgery. ※ A separate fixture mount can be provided depending on the preference of the operator.

### Rotation Stopper (Instrument)

A detachable rotating stopper is attached to the drill to maintain safe drilling depth and minimize damaging of the cortical bone when drilling.

# FTN Fixture

FTN



Platform	Ø3.5	Ø4.1	Ø4.5	Ø5.1	Ø5.1	Ø5.0
Diameter	Ø3.3	Ø4.0	Ø4.5	Ø5.0	Ø5.5	Ø5.0
Hex	2.4	2.7	2.7	3.4	3.4	2.7
Length	8.5	10	11.5	13	15	

HSA UV Active

- HSA / Packing Unit :  
 Fixture | Order code : FTN 0000SF (ex : FTN 3308SF)  
 Fixture + Cover Screw | Order code : FTN 0000S (ex : FTN 3308S )  
 Fixture Mount + Mount Screw + Fixture + Cover Screw | Order code : PFTN 0000S (ex : PFTN 3308S)
- UV Active / Packing Unit : Fixture | Order code : FTN 0000UV3 (ex : FTN 3308UV3)

## F Narrow P Ø3.5 D Ø3.3 Hex 2.4

Unit mm | Scale 1 : 1.5

Length	8.5	10	11.5	13	15
HSA	FTN 3308S	FTN 3310S	FTN 3311S	FTN 3313S	FTN 3315S
UV Active	FTN 3308UV3	FTN 3310UV3	FTN 3311UV3	FTN 3313UV3	-

## F Regular P Ø4.1 D Ø4.0 Hex 2.7

Unit mm | Scale 1 : 1.5

Length	8.5	10	11.5	13	15
HSA	FTN 4008S	FTN 4010S	FTN 4011S	FTN 4013S	FTN 4015S
UV Active	FTN 4008UV3	FTN 4010UV3	FTN 4011UV3	FTN 4013UV3	-

# FTN Fixture

## F Regular P Ø4.5 D Ø4.5 Hex 2.7 Unit mm | Scale 1:1.5

Length	8.5	10	11.5	13	15
					
HSA	FTN 4508S	FTN 4510S	FTN 4511S	FTN 4513S	FTN 4515S
UV Active	FTN 4508UV3	FTN 4510UV3	FTN 4511UV3	FTN 4513UV3	-

## F Wide P Ø5.1 D Ø5.0 Hex 3.4 Unit mm | Scale 1:1.5

Length	8.5	10	11.5	13	15
					
HSA	FTN 5008S	FTN 5010S	FTN 5011S	FTN 5013S	FTN 5015S
UV Active	FTN 5008UV3	FTN 5010UV3	FTN 5011UV3	FTN 5013UV3	-

## F Wide P Ø5.1 D Ø5.5 Hex 3.4 Unit mm | Scale 1:1.5

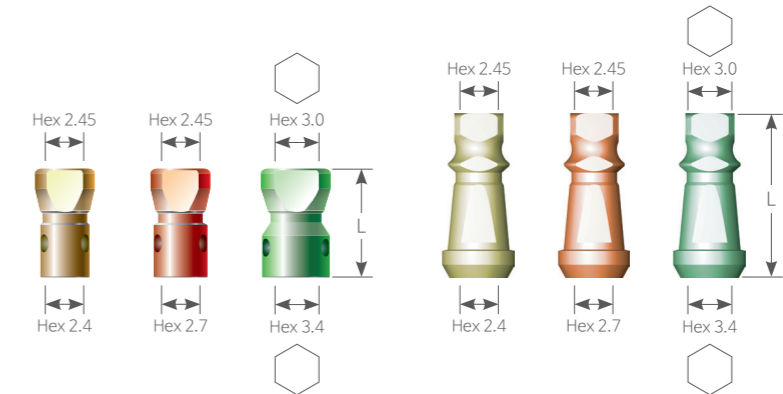
Length	8.5	10	11.5	13	15
					
HSA	FTN 5508S	FTN 5510S	FTN 5511S	FTN 5513S	FTN 5515S
UV Active	FTN 5508UV3	FTN 5510UV3	FTN 5511UV3	FTN 5513UV3	-

## F T-Wide P Ø5.0 D Ø5.0 Hex 2.7 Unit mm | Scale 1:1.5

Length	8.5	10	11.5	13	15
					
HSA	FTT 5008S	FTT 5010S	FTT 5011S	FTT 5013S	FTT 5015S
UV Active	FTT 5008UV3	FTT 5010UV3	FTT 5011UV3	FTT 5013UV3	-

# Fixture Mount

- Mount to prevent internal abrasion on the connection area when a fixture places.
- Mount is available to use as Transfer Impression Coping and Temporary Abutment.



● Sold separately

F		Yellow	Red	Green
Color		Yellow	Red	Green
Length 8		EMN 3508T (STN 1608)	EMR 4008T (STN 2008H)	EMW 5008T (STN 2508H)
Length 12		EMN 35210 (STN 1608)	EMR 41210 (STN 2008H)	EMW 51210 (STN 2508H)
Fixture Mount Driver		MHDC 2520	MHDC 2520	MHDC 3020

# Cover Screw

- Uses 0.9 Hex Driver
- Tightening Torque : 5~8Ncm



F Hex 0.9		Unit mm   Scale 1:2			
Fixture Size		Narrow	Regular	Wide	T-Wide
Fixture Platform		Ø3.5	Ø4.1 / Ø4.5	Ø5.1	Ø5.0
		CHN 3501	CHN 4001	CHN 5001	CHT 5001

# Headless

- Used if nearby space is limited or gingiva in the suture area is insufficient
- Uses 0.9 Hex Driver
- Used for both Regular and T-Wide
- Tightening Torque : 5~8Ncm

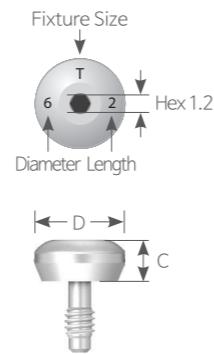


**F Hex 0.9** Unit mm | Scale 1:2

Fixture Size	Narrow	Regular · T-Wide	Wide
	CHN 3500N	CHN 4000N	CHN 5000N

# Healing Abutment

- Uses 1.2 Hex Driver
- Tightening Torque : 5~8Ncm

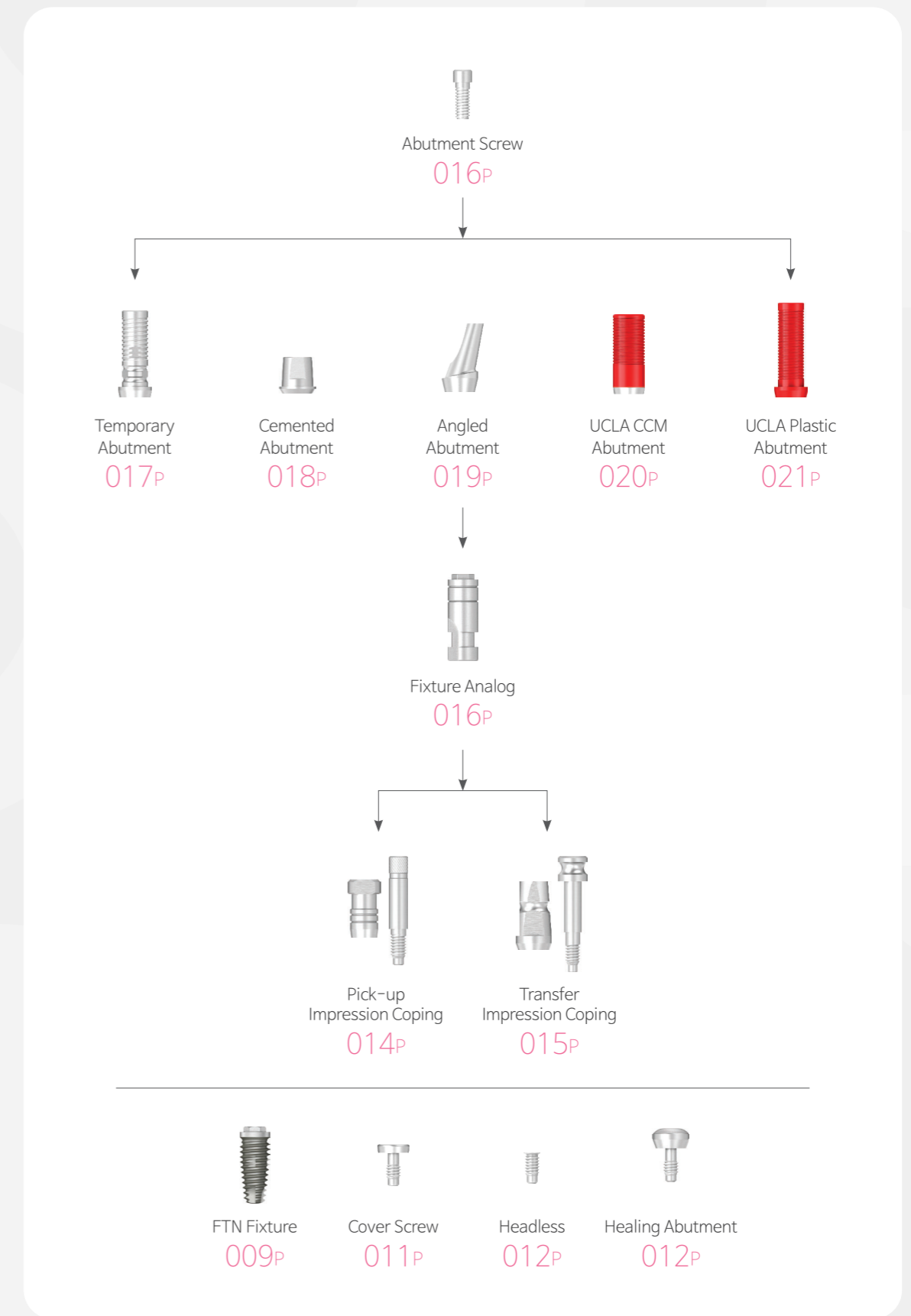


**F Hex 1.2** Unit mm | Scale 1:2

Fixture Size	Narrow	Regular	Wide	T-Wide	
Fixture Platform	ø3.5	ø4.1 / ø4.5	ø5.1	ø5.0	
Diameter	ø4.0	ø5.0	ø6.0	ø6.0	
Cuff 2	AHN 35402	AHN 40502	AHN 40602	AHN 50602	AHT 50602
3	AHN 35403	AHN 40503	AHN 40603	AHN 50603	AHT 50603
4	AHN 35404	AHN 40504	AHN 40604	AHN 50604	AHT 50604
5	AHN 35405	AHN 40505	AHN 40605	AHN 50605	AHT 50605
6	AHN 35406	AHN 40506	AHN 40606	AHN 50606	AHT 50606
8	AHN 35408	AHN 40508	AHN 40608	AHN 50608	AHT 50608

# Cement / Screw – Retained Restorations

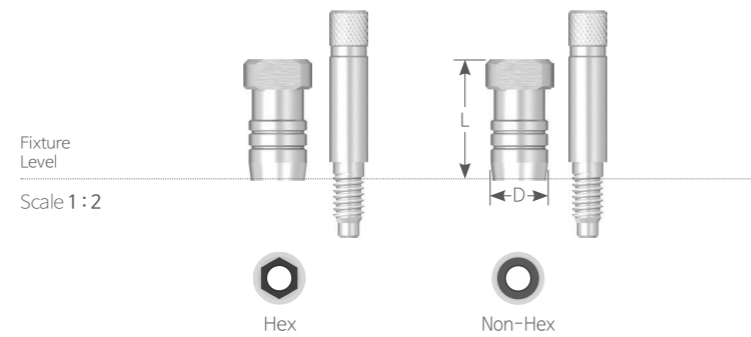
Cemented / Angled / UCLA Abutment



# Abutment Components

## Pick-up Impression Coping Hex Non-Hex

- ▶ Custom tray is used for pick-up type of impression taking.
- Asymmetry structure to minimize close interruption
- Increased convenience by long and short composition
- Packing Unit : Pick-up Impression Coping + Guide Pin



**F Length 8** Unit mm | Scale 1:2

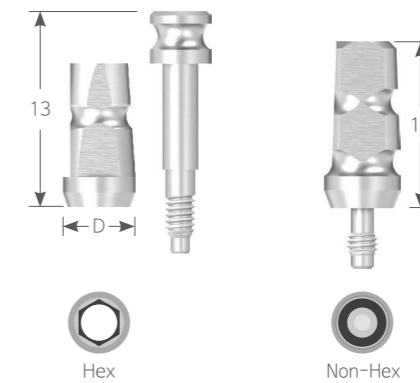
Fixture Size	Narrow	Regular	Wide	T-Wide
Fixture Platform	Ø3.5	Ø4.1 / Ø4.5	Ø5.1	Ø5.0
Diameter	Ø3.8	Ø4.8	Ø5.8	Ø5.8
Hex	2.4	2.7	3.4	2.7
Hex	IPN 3508	IPN 4008	IPN 5008	IPT 5008
Non-Hex	IPN 3508N	IPN 4008N	IPN 5008N	IPT 5008N
Guide Pin	PMN 35310	PMN 40310	PMN 50310	PMN 40310

**F Length 12** Unit mm | Scale 1:2

Fixture Size	Narrow	Regular	Wide	T-Wide
Fixture Platform	Ø3.5	Ø4.1 / Ø4.5	Ø5.1	Ø5.0
Diameter	Ø3.8	Ø4.8	Ø5.8	Ø5.8
Hex	2.4	2.7	3.4	2.7
Hex	IPN 35412	IPN 40512	IPN 50612	IPT 50612
Non-Hex	IPN 35412N	IPN 40512N	IPN 50612N	IPT 50612N
Guide Pin	PMN 35315	PMN 40315	PMN 50315	PMN 40315

## Transfer Impression Coping Hex Non-Hex

- ▶ Ready-made tray is used for transfer type of impression taking.
- Hex type is two-piece structure and Non-Hex type is one-piece structure
- Uses 1.2 Hex Driver
- Packing Unit : Transfer Impression Coping + Coping Screw (Hex)  
Transfer Impression Coping (Non-Hex)



**F Hex Length 13** Unit mm | Scale 1:2

Fixture Size	Narrow	Regular	Wide	T-Wide
Fixture Platform	Ø3.5	Ø4.1 / Ø4.5	Ø5.1	Ø5.0
Diameter	Ø4.0	Ø5.0	Ø6.0	Ø6.0
Hex	2.4	2.7	3.4	2.7
Hex	ITN 35412H	ITN 40512H	ITN 50612H	ITT 50612H
Coping Screw	ITN 35412S	ITN 40512S	ITN 50612S	ITT 50612S

**F Non-Hex Length 11** Unit mm | Scale 1:2

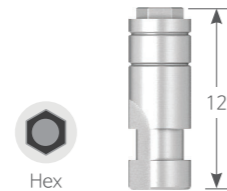
Fixture Size	Narrow	Regular	Wide	T-Wide
Fixture Platform	Ø3.5	Ø4.1 / Ø4.5	Ø5.1	Ø5.0
Diameter	Ø4.0	Ø5.0	Ø6.0	Ø6.0
Hex	2.4	2.7	3.4	2.7
	ITN 35412	ITN 40512	ITN 50612	ITT 50612



# Abutment Components

## Fixture Analog

► Providing anchor point for fabricating implant prosthetics on working model.



**F Hex Length 12** Unit mm | Scale 1:2

Fixture Size	Narrow	Regular	Wide	T-Wide
Fixture Platform	Ø3.5	Ø4.1 / Ø4.5	Ø5.1	Ø5.0
Hex	2.4	2.7	3.4	2.7
	RMN 35312	RMN 40412	RMN 50512	RMT 50512

## Abutment Screw



1.2 Hex

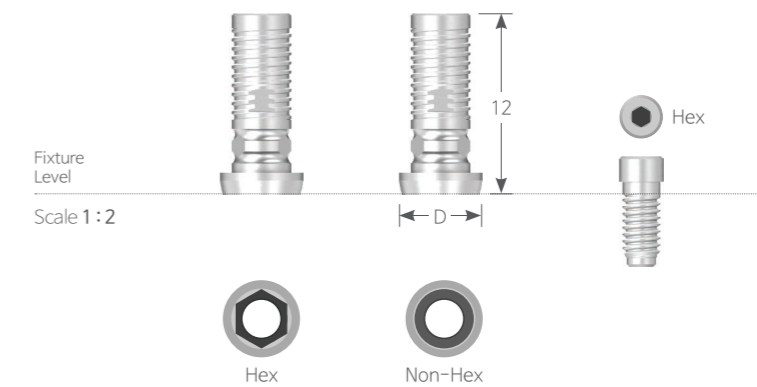
**F Hex** Unit mm | Scale 1:2

Fixture Size	Narrow	Regular	Wide	T-Wide
Fixture Platform	Ø3.5	Ø4.1 / Ø4.5	Ø5.1	Ø5.0
1.2 Hex	STN 1608H	STN 2008H	STN 2508H	STN 2008H

# Temporary Abutment Hex Non-Hex

► Used when temporary prosthesis is made

- Structure for easy customization and minimized indication
- Packing Unit : Abutment + Abutment Screw (1.2 Hex : [H])
- Tightening Torque : N-20Ncm / R,W-30Ncm



**F Hex** Unit mm | Scale 1:1.25

Fixture Size	Narrow	Regular	Wide	T-Wide
Fixture Platform	Ø3.5	Ø4.1 / Ø4.5	Ø5.1	Ø5.0
Diameter	Ø4.0	Ø4.5	Ø5.5	Ø5.5
Hex	2.4	2.7	3.4	2.7



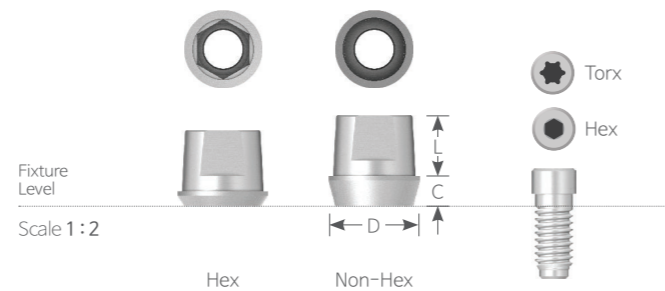
Hex	TMN 35412	TMN 40512	TMN 50612	TMT 50612
Non-Hex	TMN 35412N	TMN 40512N	TMN 50612N	TMT 50612N

# Cemented Abutment

Hex Non-Hex

► For cement retained prosthesis

- Taper Body Design
- Uses 1.2 Hex Driver, 1.7 Torx Driver
- Packing Unit : Abutment + Abutment Screw (1.2 Hex : [H], 1.7 Torx : [T])
- Tightening Torque : N-20Ncm / R,W-30Ncm



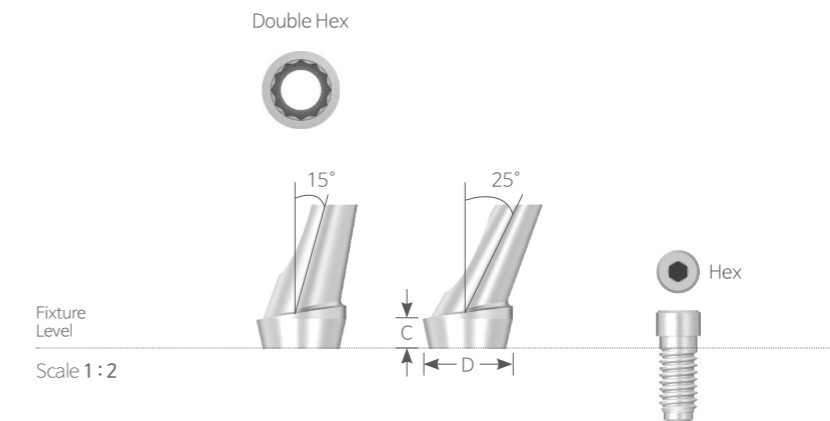
F Hex		Unit:mm				
Fixture Size	Narrow	Regular	Wide	T-Wide		
Fixture Platform	Ø3.5	Ø4.1 / Ø4.5	Ø5.1	Ø5.0		
Diameter	Ø4.0	Ø5.0	Ø6.0	Ø6.0		
Hex	2.4	2.7	2.7	3.4	2.7	
Cuff 1 Length 4	AMN 35415	AMN 40515	AMN 40615	AMN 50615	AMT 50615	
	5.5	AMN 35416	AMN 40516	AMN 40616	AMN 50616	AMT 50616
	7	AMN 35418	AMN 40518	AMN 40618	AMN 50618	AMT 50618
Cuff 2 Length 4	AMN 35426	AMN 40526	AMN 40626	AMN 50626	AMT 50626	
	5.5	AMN 35427	AMN 40527	AMN 40627	AMN 50627	AMT 50627
	7	AMN 35429	AMN 40529	AMN 40629	AMN 50629	AMT 50629
Cuff 3 Length 4	AMN 35437	AMN 40537	AMN 40637	AMN 50637	AMT 50637	
	5.5	AMN 35438	AMN 40538	AMN 40638	AMN 50638	AMT 50638
	7	AMN 35430	AMN 40530	AMN 40630	AMN 50630	AMT 50630
Cuff 4 Length 4	AMN 35448	AMN 40548	AMN 40648	AMN 50648	AMT 50648	
	5.5	AMN 35449	AMN 40549	AMN 40649	AMN 50649	AMT 50649
	7	AMN 35441	AMN 40541	AMN 40641	AMN 50641	AMT 50641

F Non-Hex		Unit:mm				
Fixture Size	Narrow	Regular	Wide	T-Wide		
Fixture Platform	Ø3.5	Ø4.1 / Ø4.5	Ø5.1	Ø5.0		
Diameter	Ø4.0	Ø5.0	Ø6.0	Ø6.0		
Cuff 1 Length 4	AMN 35415N	AMN 40515N	AMN 40615N	AMN 50615N	AMT 50615N	
	5.5	AMN 35416N	AMN 40516N	AMN 40616N	AMN 50616N	AMT 50616N
	7	AMN 35418N	AMN 40518N	AMN 40618N	AMN 50618N	AMT 50618N
Cuff 2 Length 4	AMN 35426N	AMN 40526N	AMN 40626N	AMN 50626N	AMT 50626N	
	5.5	AMN 35427N	AMN 40527N	AMN 40627N	AMN 50627N	AMT 50627N
	7	AMN 35429N	AMN 40529N	AMN 40629N	AMN 50629N	AMT 50629N
Cuff 3 Length 4	AMN 35437N	AMN 40537N	AMN 40637N	AMN 50637N	AMT 50637N	
	5.5	AMN 35438N	AMN 40538N	AMN 40638N	AMN 50638N	AMT 50638N
	7	AMN 35430N	AMN 40530N	AMN 40630N	AMN 50630N	AMT 50630N
Cuff 4 Length 4	AMN 35448N	AMN 40548N	AMN 40648N	AMN 50648N	AMT 50648N	
	5.5	AMN 35449N	AMN 40549N	AMN 40649N	AMN 50649N	AMT 50649N
	7	AMN 35441N	AMN 40541N	AMN 40641N	AMN 50641N	AMT 50641N

# Angled Abutment

► Used to modify the fixture's path

- Overcome directional limitation of the abutment using double hex connection
- Uses 1.2 Hex Driver
- Packing Unit : Abutment + Abutment Screw (1.2 Hex : [H])
- Tightening Torque : N-20Ncm / R,W-30Ncm



F Hex		Unit:mm   Scale 1 : 1.25			
Fixture Size	Narrow	Regular	Wide	T-Wide	
Fixture Platform	Ø3.5	Ø4.1 / Ø4.5	Ø5.1	Ø5.0	
Diameter	Ø4.0	Ø5.0	Ø6.0	Ø6.0	
Hex	2.4	2.7	3.4	2.7	

Angle	Cuff	Narrow	Regular	Wide	T-Wide
Angle 15°	Cuff 2	AAN 35215	AAN 40215	AAN 50215	AAT 50215
	4	AAN 35415	AAN 40415	AAN 50415	AAT 50415
Angle 25°	Cuff 2	AAN 35225	AAN 40225	AAN 50225	AAT 50225
	4	AAN 35425	AAN 40425	AAN 50425	AAT 50425

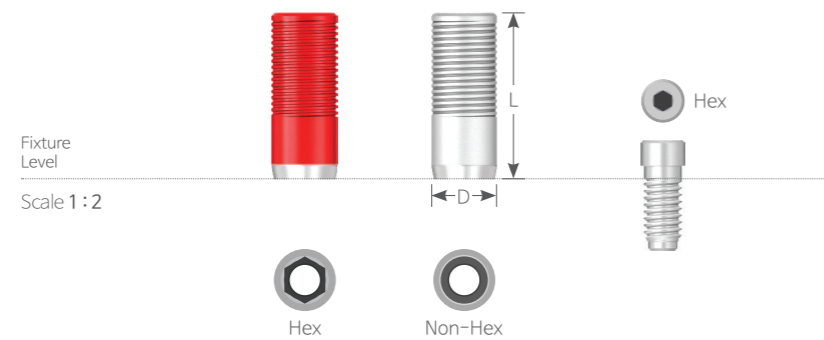
# UCLA Abutment

## UCLA CCM Abutment Hex Non-Hex

► Can be used when there is limitation on path, esthetics, space etc.

· Packing Unit : Abutment + Abutment Screw(1.2 Hex : [H])

· Tightening Torque : N-20Ncm / R,W-30Ncm



**F Hex** Unit mm | Scale 1 : 1.25

Fixture Size	Narrow	Regular	Wide	T-Wide
Fixture Platform	Ø3.5	Ø4.1 / Ø4.5	Ø5.1	Ø5.0
Diameter	Ø4.0	Ø4.5	Ø5.5	Ø5.5
Hex	2.4	2.7	3.4	2.7



**F Non-Hex** Unit mm | Scale 1 : 1.25

Fixture Size	Narrow	Regular	Wide	T-Wide
Fixture Platform	Ø3.5	Ø4.1 / Ø4.5	Ø5.1	Ø5.0
Diameter	Ø4.0	Ø4.5	Ø5.5	Ø5.5

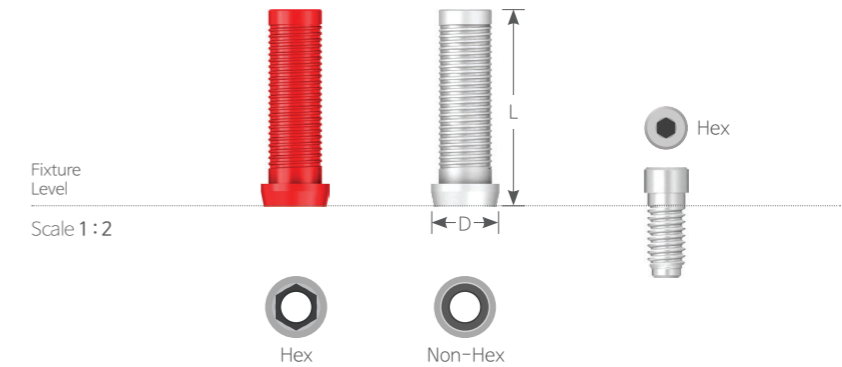


## UCLA Plastic Abutment Hex Non-Hex

► Can be used when there is limitation on path, esthetics, space etc.

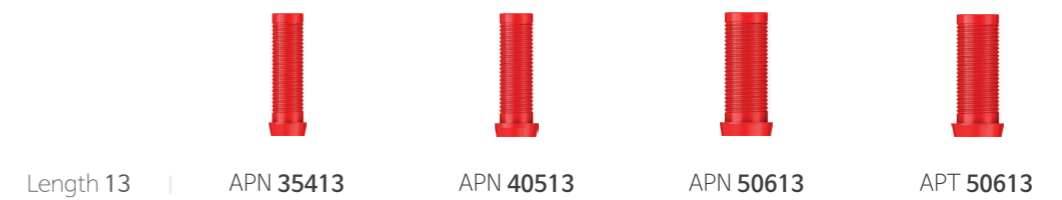
· Packing Unit : Abutment + Abutment Screw(1.2 Hex : [H])

· Tightening Torque : N-20Ncm / R,W-30Ncm



**F Hex** Unit mm | Scale 1 : 1.25

Fixture Size	Narrow	Regular	Wide	T-Wide
Fixture Platform	Ø3.5	Ø4.1 / Ø4.5	Ø5.1	Ø5.0
Diameter	Ø4.0	Ø4.5	Ø5.5	Ø5.5
Hex	2.4	2.7	3.4	2.7



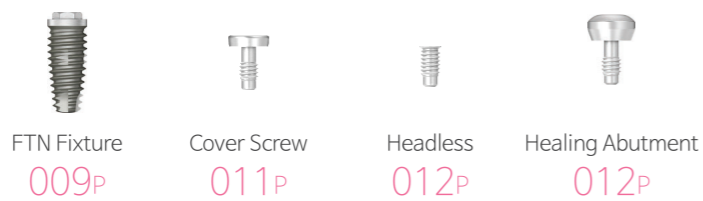
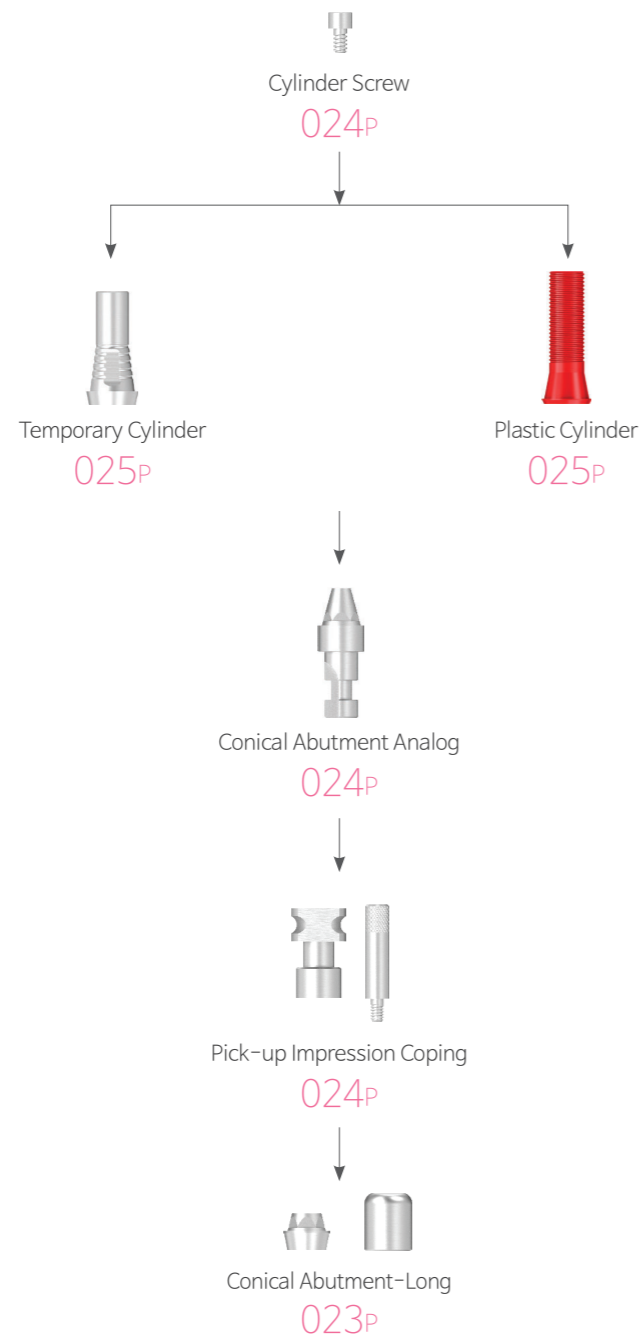
**F Non-Hex** Unit mm | Scale 1 : 1.25

Fixture Size	Narrow	Regular	Wide	T-Wide
Fixture Platform	Ø3.5	Ø4.1 / Ø4.5	Ø5.1	Ø5.0
Diameter	Ø4.0	Ø4.5	Ø5.5	Ø5.5



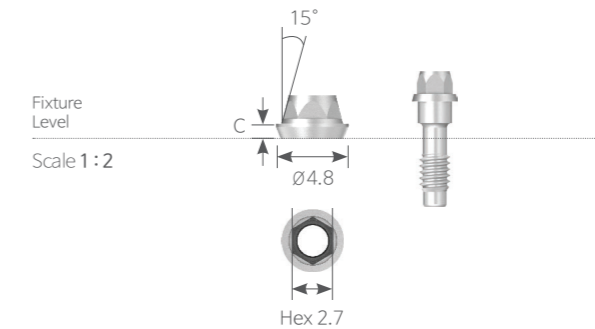
# Cement / Screw – Retained Restorations

## Conical Abutment – Long



# Conical Abutment Long

- Structure that makes prosthesis on a cylinder after connecting the abutment inside the mouth
- Path correction of up to 30° degrees
- Uses 2.0 Conical Abutment Driver (HD 2012A)
- Packing Unit : Abutment + Abutment Screw
- Tightening Torque : 30Ncm



**F D Ø4.8** Hex 2.7

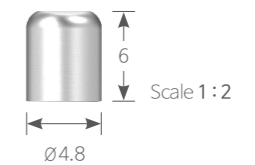
Unit mm | Scale 1 : 1.25

Fixture Size	Regular			
Fixture Platform	Ø4.1 / Ø4.5			
Cuff	1	2	3	4

Screw	ACN 40513 SHN 2009	ACN 40524 SHN 2010	ACN 40535 SHN 2011	ACN 40546 SHN 2012

## Healing Cap

- ▶ Used for taking impression of Conical Abutment
- Uses 1.2 Hex Driver
- Tightening Torque : 20Ncm



**F D Ø4.8** Length 6

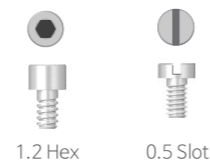
Unit mm

Fixture Size	Regular
	HCN 40506

# Conical Abutment Long \_ Components

## Cylinder Screw

· Uses 1.2 Hex Driver, 0.5 Slot Driver

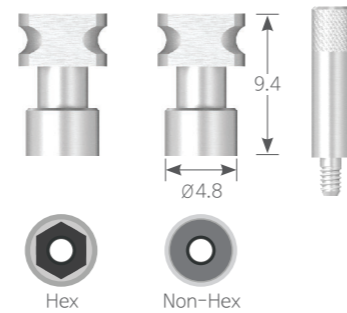


**F** Unit mm | Scale 1:2

Fixture Size	Regular	
Type	1.2 Hex SHN 1404	0.5 Slot SSN 1404

## Pick-up Impression Coping Hex Non-Hex

· Final impression coping, exclusive for the Conical Abutment  
 · Custom tray is used for pick-up type of impression taking  
 · Uses 1.2 Hex Driver  
 · Packing Unit : Pick-up Impression Coping + Guide Pin

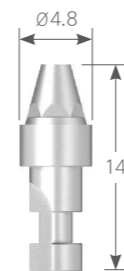


**F** D Ø4.8 Length 9.4 Unit mm | Scale 1:2

Fixture Size	Regular	
Type	Hex IPN 40510	Non-Hex IPN 40510N

## Conical Abutment Analog

· Providing anchor point for fabricating implant prosthetics on working model.

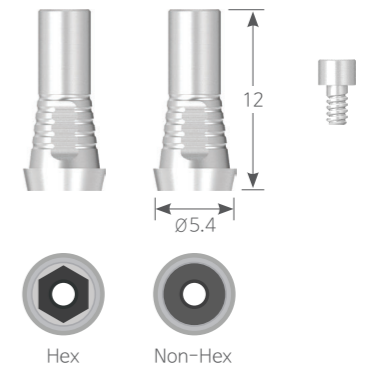


**F** D Ø4.8 Length 14 Unit mm | Scale 1:2

Fixture Size	Regular	
	RCN 40414	

## Temporary Cylinder Hex Non-Hex

· Used for prosthesis for the Conical Abutment  
 · Structure for easy customization and minimized indication  
 · Uses 1.2 Hex Driver  
 · Packing Unit : Temporary Cylinder + Cylinder Screw (SHN 1404)  
 · Tightening Torque : 20Ncm

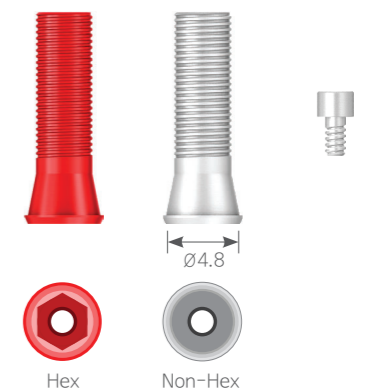


**F** D Ø5.4 Length 12 Unit mm | Scale 1:2

Fixture Size	Regular	
Type	Hex TCN 40512	Non-Hex TCN 40512N

## Plastic Cylinder Hex Non-Hex

· After the customization, **non-precious metal alloy will be casted only.**  
 · Uses 1.2 Hex Driver  
 · Packing Unit : Plastic Cylinder + Cylinder Screw (SHN 1404)  
 · Tightening Torque : 20Ncm

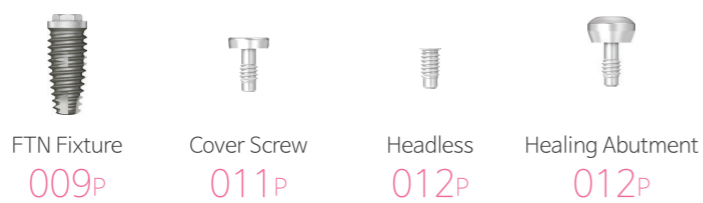
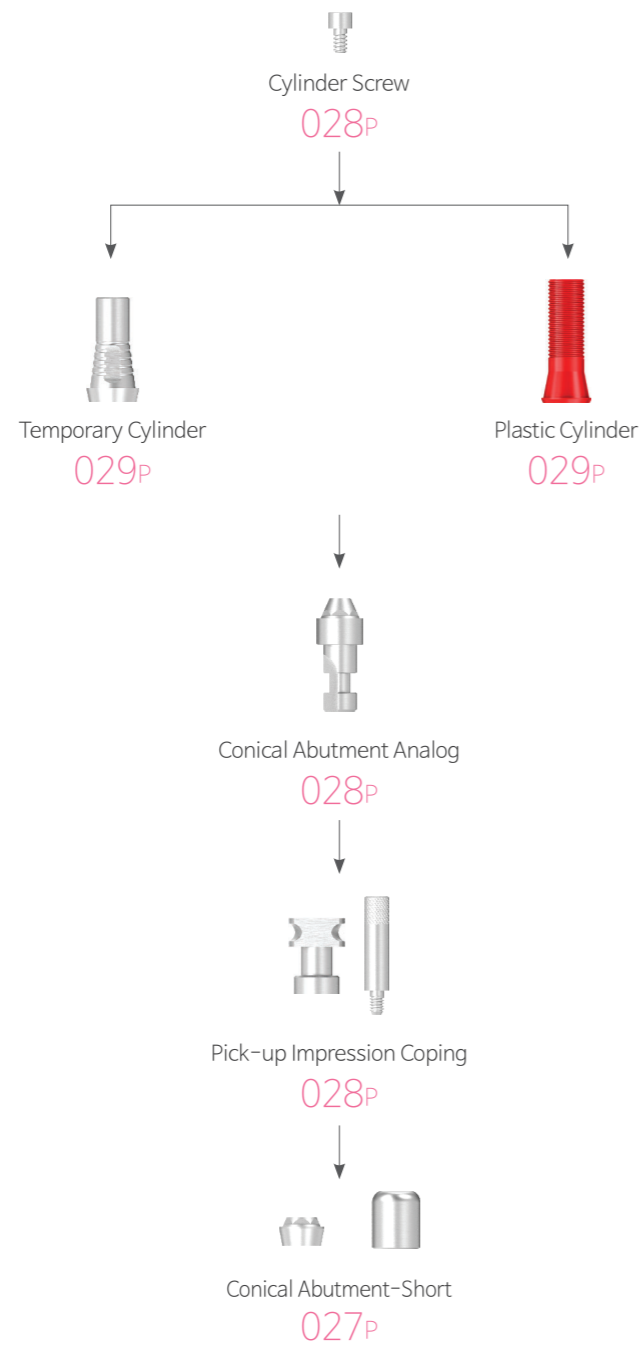


**F** D Ø4.8 Unit mm | Scale 1:2

Fixture Size	Regular	
Type	Hex APN 40514	Non-Hex APN 40514N

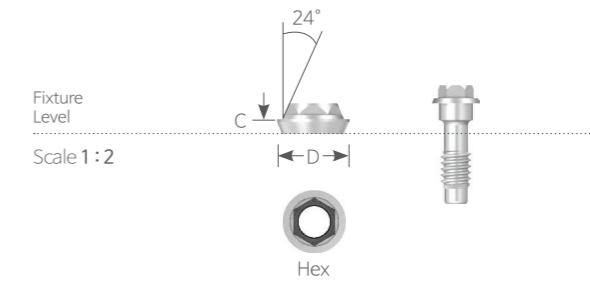
# Cement / Screw – Retained Restorations

## Conical Abutment – Short



# Conical Abutment Short

- Use for fabrication of screw-retained esthetic restorations.
- Structure that makes prosthesis on a cylinder after connecting the abutment inside the mouth
- Path correction of up to 48° degrees
- Uses 2.0 / 2.7 Conical Abutment Driver
- Packing Unit : Abutment + Abutment Screw
- Tightening Torque : 30Ncm



**F** Unit mm | Scale 1 : 1.25

Fixture Size	Regular		Wide		T-Wide	
Fixture Platform	Ø4.1 / Ø4.5		Ø5.1		Ø5.0	
Diameter	Ø4.8		Ø5.5		Ø5.5	
Hex	2.7		3.4		2.7	
Type	Abutment	Screw	Abutment	Screw	Abutment	Screw
Cuff 1	ACN 40512	SHN 2008S	ACN 50612	SHN 2508	ACT 50612	SHT 2008S
2	ACN 40523	SHN 2009S	ACN 50623	SHN 2509	ACT 50623	SHT 2009S
3	ACN 40534	SHN 2010S	ACN 50634	SHN 2510	ACT 50634	SHT 2010S
4	ACN 40545	SHN 2011S	ACN 50645	SHN 2511	ACT 50645	SHT 2011S
Driver	HD 2012A		HD 2712A		HD 2012A	

## Healing Cap

► Use for protecting a conical abutment and minimizing feeling of irritation from the patient's mouth.

- Uses 1.2 Hex Driver
- Tightening Torque : 20Ncm



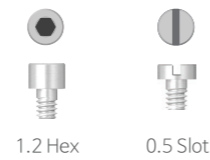
**F** Length 4.5 Unit mm | Scale 1 : 2

Fixture Size	Regular	Wide · T-Wide
Diameter	Ø5.0	Ø5.8
	HCN 40504	HCN 50604

# Conical Abutment Short\_ Components

## Cylinder Screw

· Uses 1.2 Hex Driver, 0.5 Slot Driver

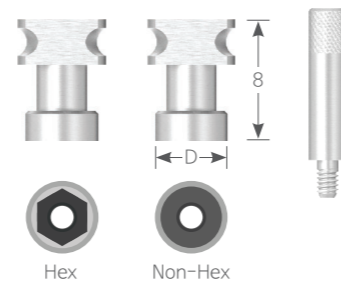


**F** Unit mm | Scale 1 : 2

Fixture Size	Regular	Wide · T-Wide
1.2 Hex	SHN 1403	SHN 2003
0.5 Slot	SSN 1403	SSN 2003

## Pick-up Impression Coping

· Final impression coping, exclusive for the Conical Abutment  
 · Custom tray is used for Pick-up type of impression taking  
 · Packing Unit : Pick-up Impression Coping + Guide Pin

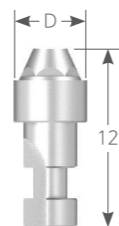


**F** Length 8 Unit mm | Scale 1 : 2

Fixture Size	Regular		Wide · T-Wide	
Diameter	ø4.8		ø5.5	
Type	Hex	Non-Hex	Hex	Non-Hex
Guide Pin	IPN 40508	IPN 40508N	IPN 50608	IPN 50608N
	PCN 40310		PCN 50310	

## Conical Abutment Analog

· Providing anchor point for fabricating implant prosthetics on working model.

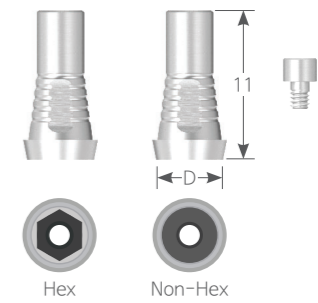


**F** Length 12 Unit mm | Scale 1 : 2

Fixture Size	Regular	Wide · T-Wide
Diameter	ø4.8	ø5.5
	RCN 40412	RCN 50512

## Temporary Cylinder

· Used for prosthesis for the Conical Abutment  
 · Structure for easy customization and minimized indication  
 · Uses 1.2 Hex Driver  
 · Packing Unit : Temporary Cylinder + Cylinder Screw  
 · Tightening Torque : 20Ncm

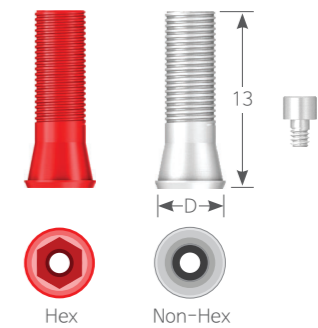


**F** Length 11 Unit mm | Scale 1 : 18

Fixture Size	Regular		Wide · T-Wide	
Diameter	ø4.8		ø5.5	
Type	Hex	Non-Hex	Hex	Non-Hex
Screw	TCN 40511 SHN 1403	TCN 40511N SHN 1403	TCN 50611 SHN 2003	TCN 50611N SHN 2003

## Plastic Cylinder

· After the customization, **non-precious metal alloy will be casted only.**  
 · Uses 1.2 Hex Driver  
 · Packing Unit : Plastic Cylinder + Cylinder Screw  
 · Tightening Torque : 20Ncm

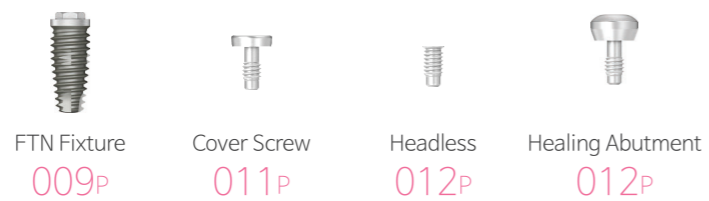
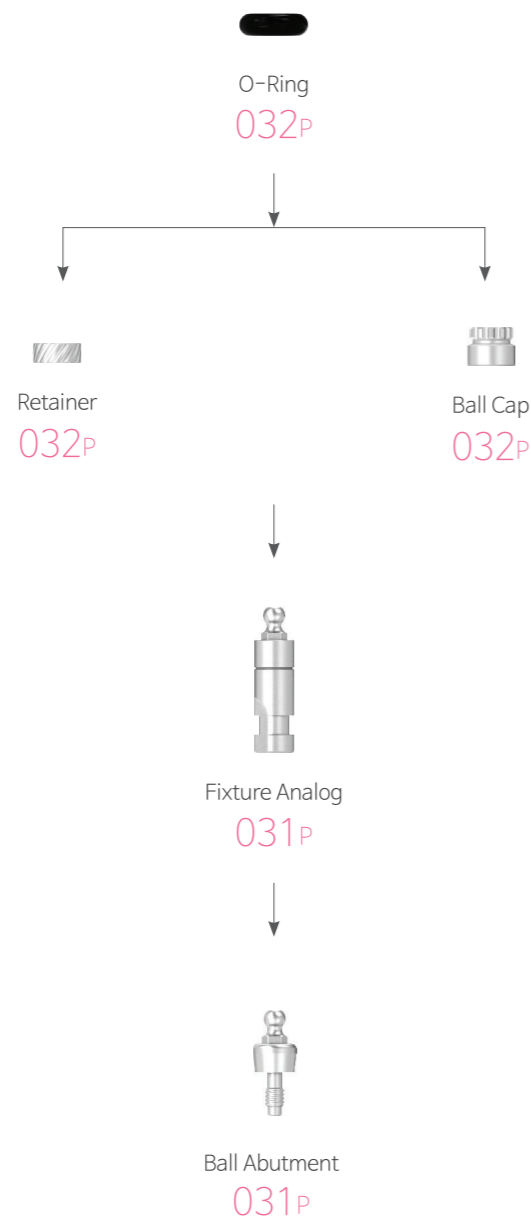


**F** Length 13 Unit mm | Scale 1 : 18

Fixture Size	Regular		Wide · T-Wide	
Diameter	ø4.8		ø5.5	
Type	Hex	Non-Hex	Hex	Non-Hex
Screw	APN 40514S SHN 1403	APN 40514SN SHN 1403	APN 50614 SHN 2003	APN 50614N SHN 2003

# Overdenture Restorations

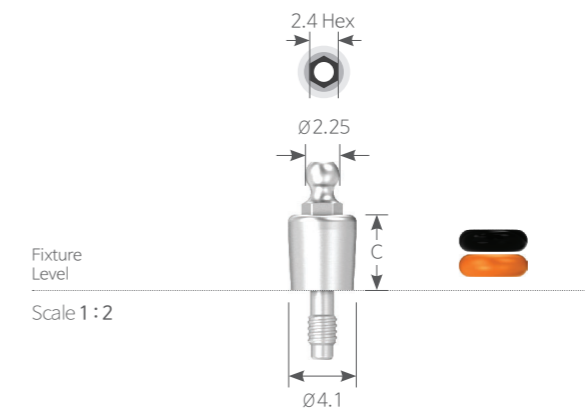
## Ball Abutment



# Ball Abutment

► Used to create overdenture for edentulous patient.

- Composition of O-Ring : For dental lab use (Black), for clinic use (Orange)
- Path recovery to the maximum of 20°
- Uses Ball Abutment Driver
- Packing Unit : Abutment + O-Ring (OR 0450B + OR 0450O)
- Tightening Torque : 35Ncm



**F D Ø4.1**

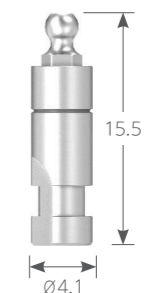
Unit mm | Scale 1 : 1.25

Fixture Size	Regular			
Cuff	2	3	4	5



## Fixture Analog

· Provides anchor point for Ball Abutment on working model.



**F D Ø4.1** Length 15.5

Unit mm | Scale 1 : 2

Fixture Size	Regular
	RBN 40412

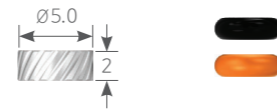
RBN 40412



# Ball Abutment Components

## Retainer

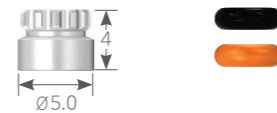
- Advantageous when occlusal distance is low compare to Ball Cap.
- Packing Unit : Retainer + O-Ring (OR 0450B + OR 04500)



<b>F</b> D <b>Ø5.0</b> Length 2	Unit mm   Scale 1 : 2
Fixture Size	<b>Regular</b>
	RT 0502

## Ball Cap

- Outstanding consistency and clip-on
- Packing Unit : Ball Cap + O-Ring (OR 0450B + OR 04500)



<b>F</b> D <b>Ø5.0</b> Length 4	Unit mm   Scale 1 : 2
Fixture Size	<b>Regular</b>
	BC 5004

## O-Ring

- Black : For dental lab use (Overdenture)
- Orange : For clinical use (Over 6Ncm)
- Packing Unit : O-Ring 1 Piece



<b>F</b> D <b>Ø4.5</b>	Unit mm   Scale 1 : 2				
Fixture Size	<b>Regular</b>				
Color	<table border="0"> <tr> <td>OR 0450B</td> <td>OR 04500</td> </tr> <tr> <td>● Black</td> <td>● Orange</td> </tr> </table>	OR 0450B	OR 04500	● Black	● Orange
OR 0450B	OR 04500				
● Black	● Orange				

# H-Scanbody

- The library can be downloaded from the home page.
- <http://hq.dionavi.com/cad/cadlib.co>

## FTN External Narrow

<b>F</b> D <b>Ø4.0</b>	Unit mm   Scale 1 : 1.25			Top view
Length	4	6	8	Jig
Screw	ENHSB 441H ESSC 1606H	ENHSB 461H ESSC 1608H	ENHSB 481H ESSC 1610H	JIG 401 -

## FTN External Regular

<b>F</b> D <b>Ø5.0</b>	Unit mm   Scale 1 : 1.25			Top view
Length	4	6	8	Jig
Screw	ERHSB 541H ESSC 2006H	ERHSB 561H ESSC 2008H	ERHSB 581H ESSC 2010H	JIG 501 -

## FTN External Wide

<b>F</b> D <b>Ø6.0</b>	Unit mm   Scale 1 : 1.25			Top view
Length	4	6	8	Jig
Screw	ERHSB 641H ESSC 2006H	ERHSB 661H ESSC 2008H	ERHSB 681H ESSC 2010H	JIG 601 -

# H-Scanbody

The library can be downloaded from the home page.  
<http://hq.dionavi.com/cad/cadlib.co>

## FTN External Wide

Top view



F D Ø6.0				
Length	4	6	8	Jig

Unit mm | Scale 1 : 1.25

				
Screw	 EWHSB 641H ESSC 2506H	 EWHSB 661H ESSC 2508H	 EWHSB 681H ESSC 2510H	JIG 601 -

F D Ø7.0				
Length	4	6	8	Jig

Top view



				
Screw	 EWHSB 741H ESSC 2506H	 EWHSB 761H ESSC 2508H	 EWHSB 781H ESSC 2510H	JIG 701 -

# H-Scanbody

The library can be downloaded from the home page.  
<http://hq.dionavi.com/cad/cadlib.co>

## FTN External T-Wide

Top view



F D Ø6.0				
Length	4	6	8	Jig

Unit mm | Scale 1 : 1.25

				
Screw	 ETHSB 641H ESSC 2006H	 ETHSB 661H ESSC 2008H	 ETHSB 681H ESSC 2010H	JIG 601 -

F D Ø7.0				
Length	4	6	8	Jig

Top view



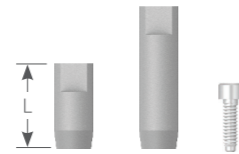
				
Screw	 ETHSB 741H ESSC 2006H	 ETHSB 761H ESSC 2008H	 ETHSB 781H ESSC 2010H	JIG 701 -

# Scan Adapter

- Manufacture of customized abutment by connecting to the fixture in the mouth or lab analog of the plaster model and scanning with an oral scanner or desk scanner
- The library can be downloaded from the home page.  
<http://hq.dionavi.com/cad/cadlib.co>

## FTN External

- Packing Unit : Scan Adapter + Screw
- Tightening Torque : 5~8Ncm



Fixture Size	Narrow	Regular	Wide	T-Wide
Length 9	SCAN 04	SCAN 05	SCAN 06	SCAN 21
15	SCAN 04-15	SCAN 05-15	SCAN 06-15	SCAN 21-15
Screw	STN 1608H	STN 2008H	STN 2508H	STN 2008H

Unit mm

# Pre-Milled Bar

## FTN External

- Packing Unit : Pre-Milled Bar + Screw
- Tightening Torque : N-20Ncm / R,W-30Ncm



Fixture Size	Narrow	Regular	Wide	T-Wide
Hex	CBEN 02	CBER 02	CBEW 02	CBET 02
Non-Hex	CBEN 02N	CBER 02N	CBEW 02N	CBET 02N
Screw	STN 1608H	STN 2008H	STN 2508H	STN 2008H

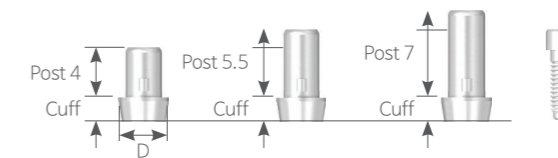
Unit mm

# Hybrid Link

- Up to implant platform connection part is made of titanium, making it easy to produce prosthesis for anterior teeth by cementation the post made of zirconia
- The library can be downloaded from the home page.  
<http://hq.dionavi.com/cad/cadlib.co>

## FTN External Narrow

- Packing Unit : Hybrid Link + Screw (HSC 1608H)
- Tightening Torque : N-20Ncm / R,W-30Ncm

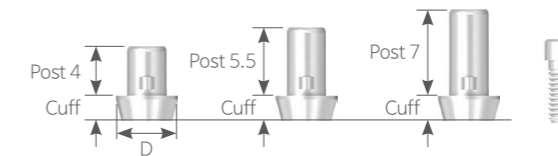


Type		Hex	Non-Hex
Diameter Ø4.0	Post 4	Cuff 1.5	ENHL 40401H   ENHL 40401N
		Cuff 2	ENHL 40402H   ENHL 40402N
		Cuff 3	ENHL 40403H   ENHL 40403N
Post 5.5	Cuff 1.5	ENHL 40501H	ENHL 40501N
		Cuff 2	ENHL 40502H   ENHL 40502N
		Cuff 3	ENHL 40503H   ENHL 40503N
Post 7	Cuff 1.5	ENHL 40701H	ENHL 40701N
		Cuff 2	ENHL 40702H   ENHL 40702N
		Cuff 3	ENHL 40703H   ENHL 40703N

Unit mm | Scale 1 : 1.65

## FTN External Regular

- Packing Unit : Hybrid Link + Screw (STN 2008H)
- Tightening Torque : 30~35Ncm



Type		Hex	Non-Hex
Diameter Ø5.0	Post 4	Cuff 1.5	ERHL 50401H   ERHL 50401N
		Cuff 2	ERHL 50402H   ERHL 50402N
		Cuff 3	ERHL 50403H   ERHL 50403N
Post 5.5	Cuff 1.5	ERHL 50501H	ERHL 50501N
		Cuff 2	ERHL 50502H   ERHL 50502N
		Cuff 3	ERHL 50503H   ERHL 50503N
Post 7	Cuff 1.5	ERHL 50701H	ERHL 50701N
		Cuff 2	ERHL 50702H   ERHL 50702N
		Cuff 3	ERHL 50703H   ERHL 50703N

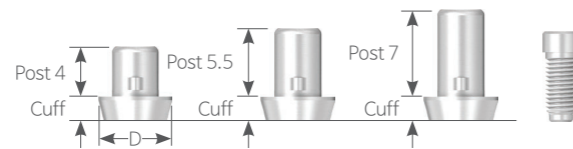
Unit mm | Scale 1 : 1.65

# Hybrid Link

- Up to implant platform connection part is made of titanium, making it easy to produce prosthesis for anterior teeth by cementation the post made of zirconia
- The library can be downloaded from the home page.  
<http://hq.dionavi.com/cad/cadlib.co>

## FTN External Wide

- Packing Unit : Hybrid Link + Screw (STN 2508H)
- Tightening Torque : 30~35Ncm

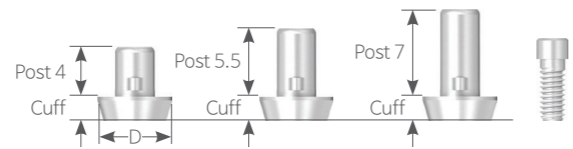


**F D Ø6.0** Unit mm | Scale 1 : 1.65

Type			Hex	Non-Hex
Diameter Ø6.0	Post 4	Cuff 1.5	EWHL 60401H	EWHL 60401N
		Cuff 2	EWHL 60402H	EWHL 60402N
		Cuff 3	EWHL 60403H	EWHL 60403N
	Post 5.5	Cuff 1.5	EWHL 60501H	EWHL 60501N
		Cuff 2	EWHL 60502H	EWHL 60502N
		Cuff 3	EWHL 60503H	EWHL 60503N
	Post 7	Cuff 1.5	EWHL 60701H	EWHL 60701N
		Cuff 2	EWHL 60702H	EWHL 60702N
		Cuff 3	EWHL 60703H	EWHL 60703N

## FTN External T-Wide

- Packing Unit : Hybrid Link + Screw (STN 2008H)
- Tightening Torque : 30~35Ncm



**F D Ø6.0** Unit mm | Scale 1 : 1.65

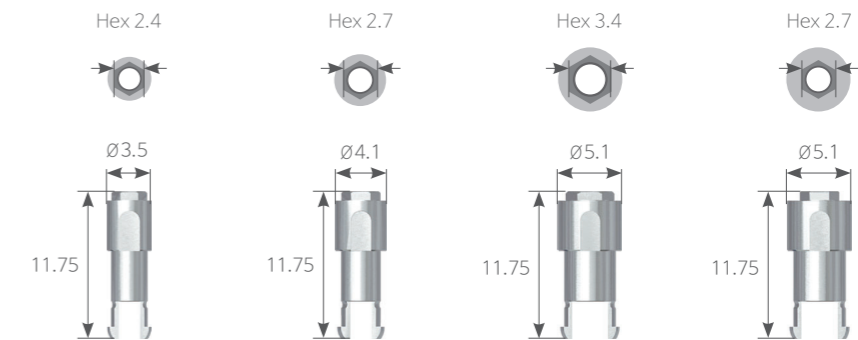
Type			Hex	Non-Hex
Diameter Ø6.0	Post 4	Cuff 1.5	ETHL 60401H	ETHL 60401N
		Cuff 2	ETHL 60402H	ETHL 60402N
		Cuff 3	ETHL 60403H	ETHL 60403N
	Post 5.5	Cuff 1.5	ETHL 60501H	ETHL 60501N
		Cuff 2	ETHL 60502H	ETHL 60502N
		Cuff 3	ETHL 60503H	ETHL 60503N
	Post 7	Cuff 1.5	ETHL 60701H	ETHL 60701N
		Cuff 2	ETHL 60702H	ETHL 60702N
		Cuff 3	ETHL 60703H	ETHL 60703N

# Digital Fixture Analog

- Provides anchor point for abutment on 3D printed working model.
- The library can be downloaded from the home page.  
<http://hq.dionavi.com/cad/cadlib.co>

**F Hex Length 11.75** Unit mm | Scale 1 : 1.65

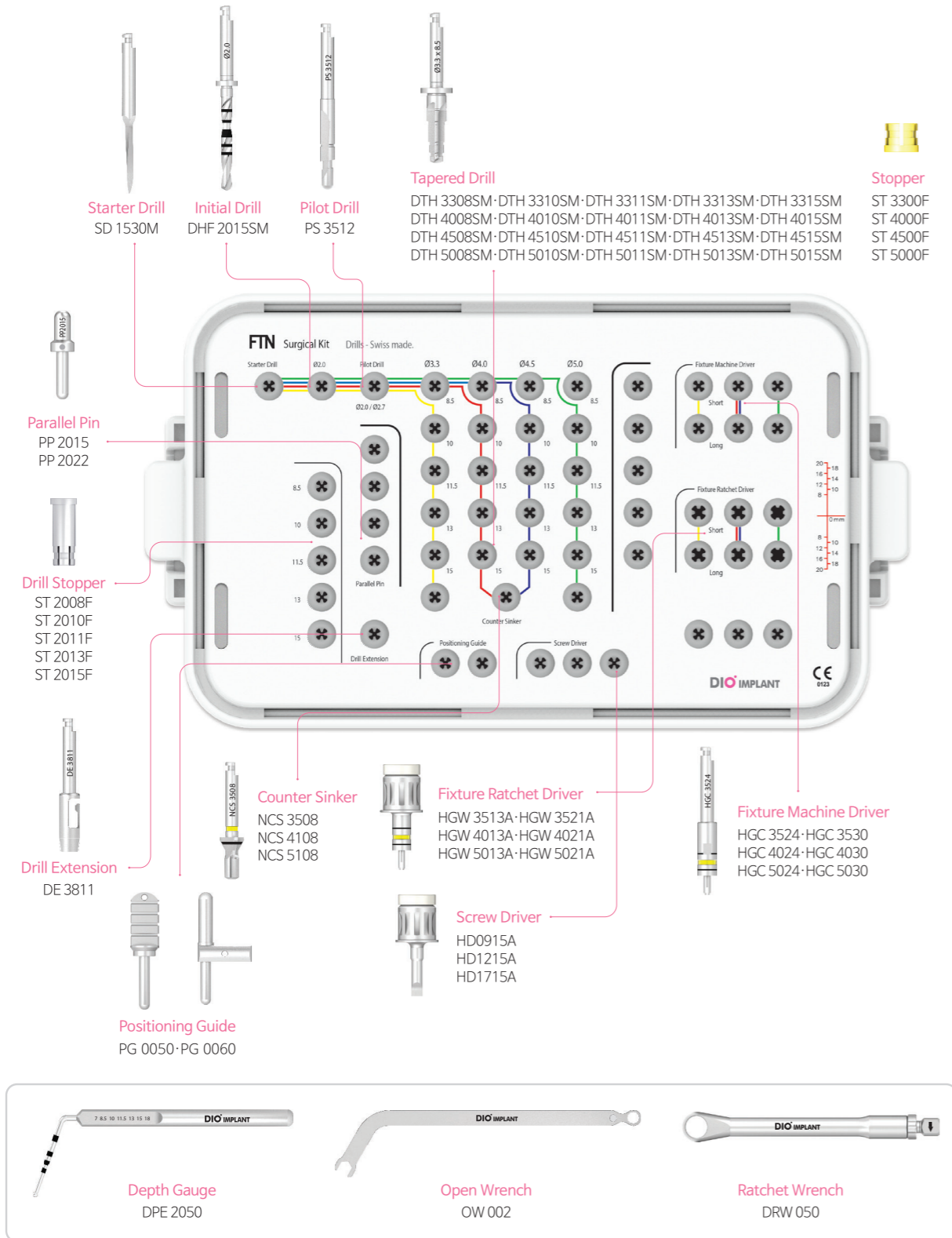
Fixture Size	Narrow	Regular	Wide	T-Wide
Diameter	Ø3.5	Ø4.1	Ø5.1	Ø5.1
Hex	2.4	2.7	3.4	2.7
Code	DAE 3511	DAE 4111	DAE 5111	DAE T5111



# FTN Surgical Kit Kit Code | FTN(M) 02

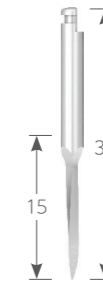
· Kit composed of drill with outstanding cutting force and durability, etc.  
· FTN Fixture

Unit mm | Drill Scale 1 : 0.9



# Surgical Tool

## Starter Drill



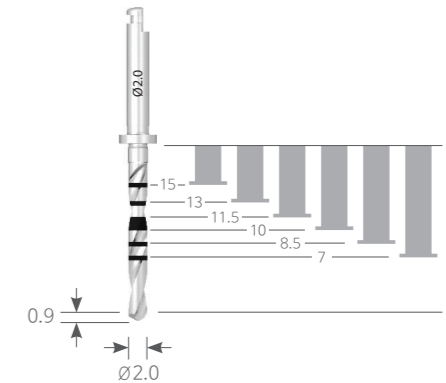
**K** D Ø1.5

Unit mm | Scale 1 : 1.2

Code

SD 1530M

## Initial Drill



**K** D Ø2.0

Unit mm | Scale 1 : 1.2

Code

DHF 2015SM

## Drill stopper

**K** D Ø2.0

Unit mm | Scale 1 : 1.2

Code

ST 2015F

ST 20013F

ST 2011F

ST 2010F

ST 2008F



## Parallel Pin

**K**

● Sold separately  
Unit mm | Scale 1 : 1

Code

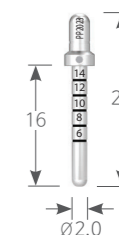
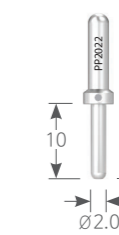
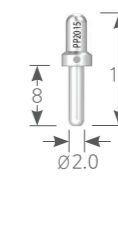
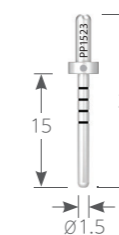
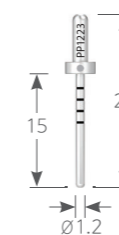
PP 1223

PP 1523

PP 2015

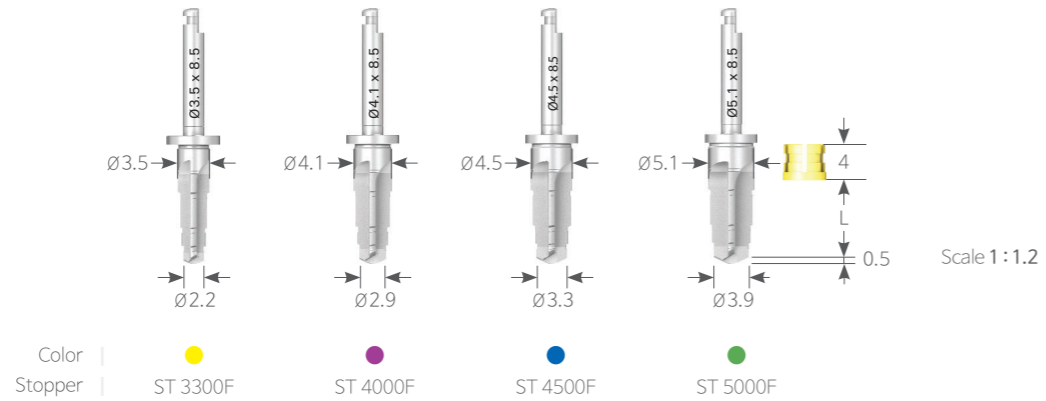
PP 2022

PP 2023



# Surgical Tool

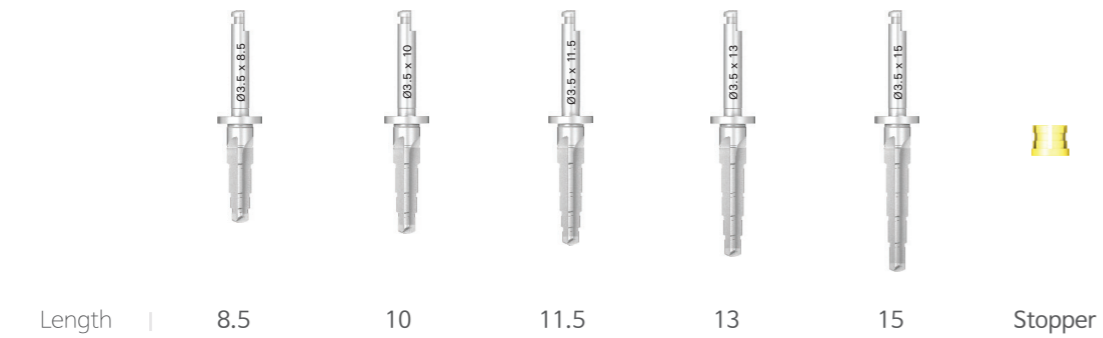
## Tapered Drill



### K D Ø3.5

Unit mm | Scale 1:1

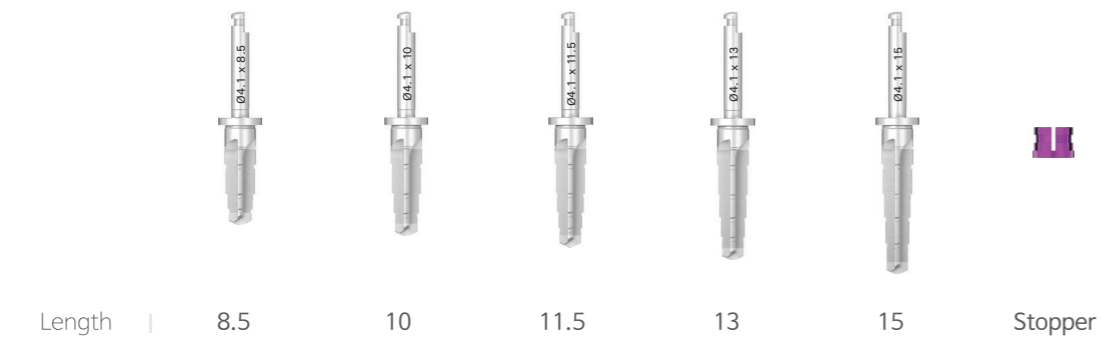
Code	DTH 3308SM	DTH 3310SM	DTH 3311SM	DTH 3313SM	DTH 3315SM	ST 3300F
------	------------	------------	------------	------------	------------	----------



### K D Ø4.1

Unit mm | Scale 1:1

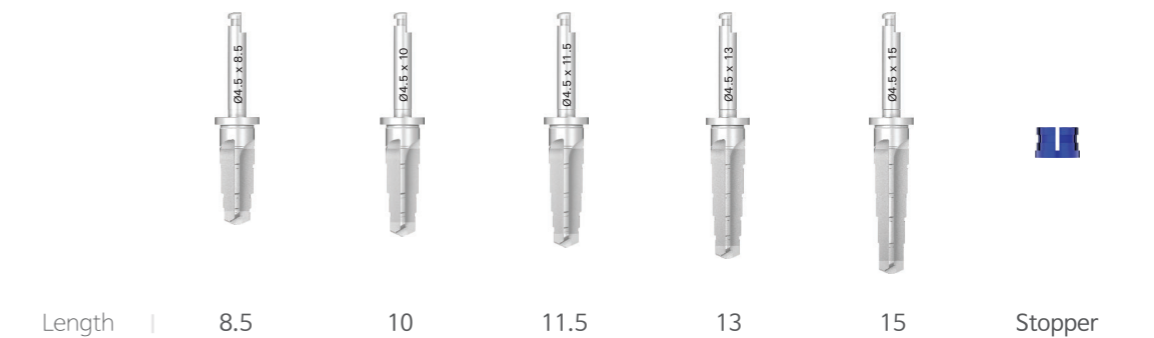
Code	DTH 4008SM	DTH 4010SM	DTH 4011SM	DTH 4013SM	DTH 4015SM	ST 4000F
------	------------	------------	------------	------------	------------	----------



### K D Ø4.5

Unit mm | Scale 1:1

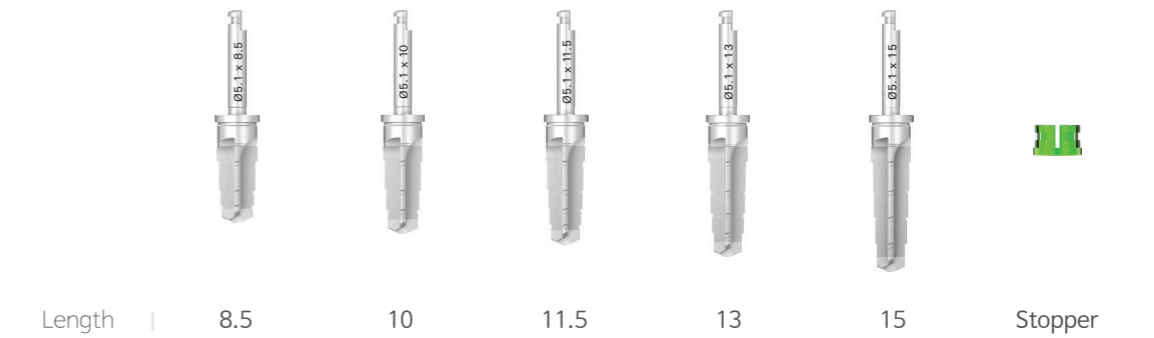
Code	DTH 4508SM	DTH 4510SM	DTH 4511SM	DTH 4513SM	DTH 4515SM	ST 4500F
------	------------	------------	------------	------------	------------	----------



### K D Ø5.1

Unit mm | Scale 1:1

Code	DTH 5008SM	DTH 5010SM	DTH 5011SM	DTH 5013SM	DTH 5015SM	ST 5000F
------	------------	------------	------------	------------	------------	----------



## Drill Extension

· Length is extended 15.5mm by connecting to the drill.

Code	DE 3811
------	---------

Unit mm | Scale 1:1.2



# Surgical Tool

## Pilot Drill

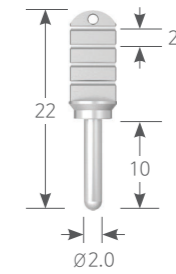


**K**

Unit mm | Scale 1:1.2

Code	PS 3512
------	---------

## Positioning Guide



**K** D Ø2.0

Unit mm | Scale 1:1.2

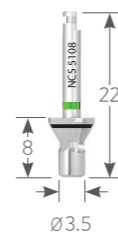
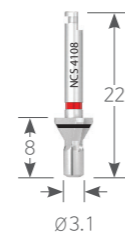
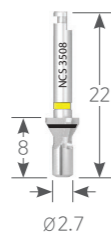
Code	PG 0050
------	---------

## Counter Sinker

**K**

Unit mm | Scale 1:1

Code	NCS 3508	NCS 4108	NCS 5108
------	----------	----------	----------



Color



**K** D Ø2.0


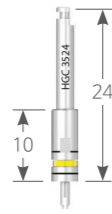

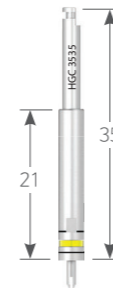
Unit mm | Scale 1:1.2

Code	PG 0060
------	---------



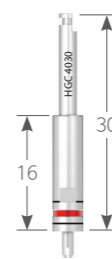
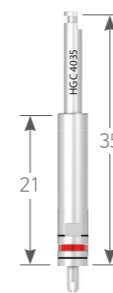
# Surgical Tool

## Fixture Driver Machine


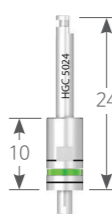

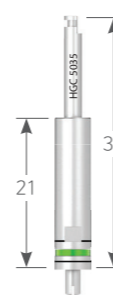
**K P Ø3.5 Hex 2.4** ● Sold separately  
Unit mm | Scale 1:1

Code	HGC 3524	HGC 3530	HGC 3535
			

**K P Ø4.1 Hex 2.7** ● Sold separately  
Unit mm | Scale 1:1


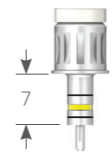
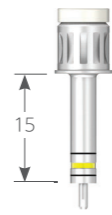
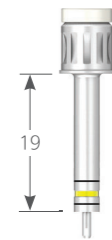
Code	HGC 4024	HGC 4030	HGC 4035
			

**K P Ø5.0 Hex 3.4** ● Sold separately  
Unit mm | Scale 1:1


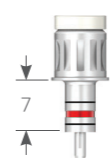
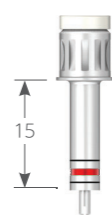
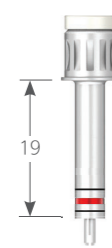
Code	HGC 5024	HGC 5030	HGC 5035
			

## Fixture Driver Ratchet


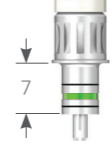
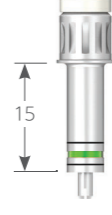
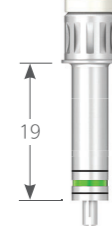
**K P Ø3.5 Hex 2.4** ● Sold separately  
Unit mm | Scale 1:1

Code	HGW 3513A	HGW 3521A	HGW 3525A
			

**K P Ø4.1 Hex 2.7** ● Sold separately  
Unit mm | Scale 1:1

Code	HGW 4013A	HGW 4021A	HGW 4025A
			

**K P Ø5.0 Hex 3.4** ● Sold separately  
Unit mm | Scale 1:1

Code	HGW 5013A	HGW 5021A	HGW 5025A
			



# Surgical Tool

## Screw Driver Machine

● Sold separately

Unit mm | Scale 1:1

**K** Slot 0.5

Code	MD 0522	MD 0530
------	---------	---------



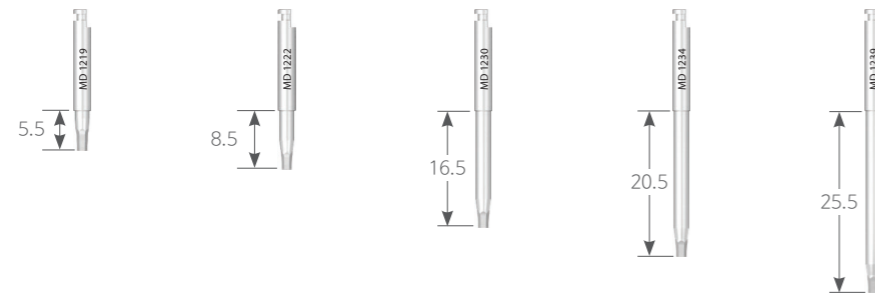
**K** Hex 0.9

Code	MD 0922	MD 0930
------	---------	---------



**K** Hex 1.2

Code	MD 1219	MD 1222	MD 1230	MD 1234	MD 1239
------	---------	---------	---------	---------	---------



**K** Torx 1.7

Code	MD 1719	MD 1722	MD 1730
------	---------	---------	---------



## Screw Driver Ratchet

● Sold separately

Unit mm | Scale 1:1

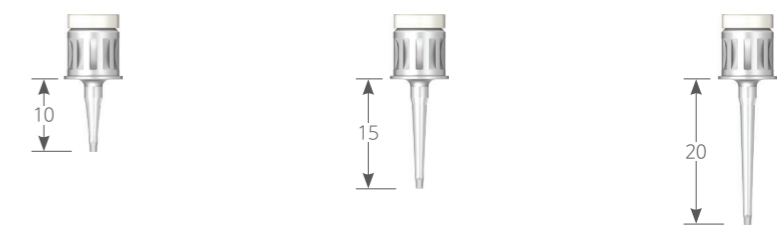
**K** Slot 0.5

Code	HD 0510A	HD 0515A
------	----------	----------



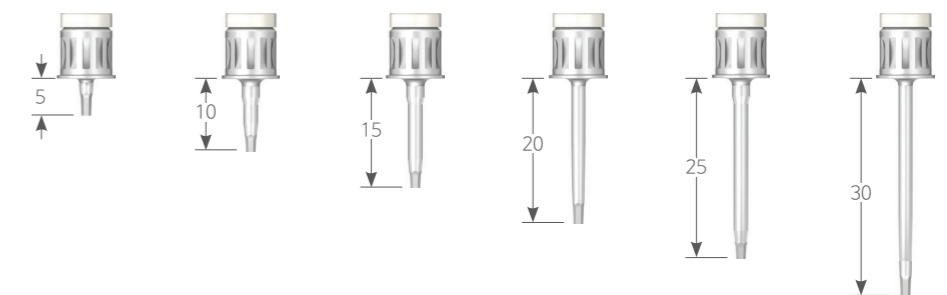
**K** Hex 0.9

Code	HD 0910A	HD 0915A	HD 0920A
------	----------	----------	----------



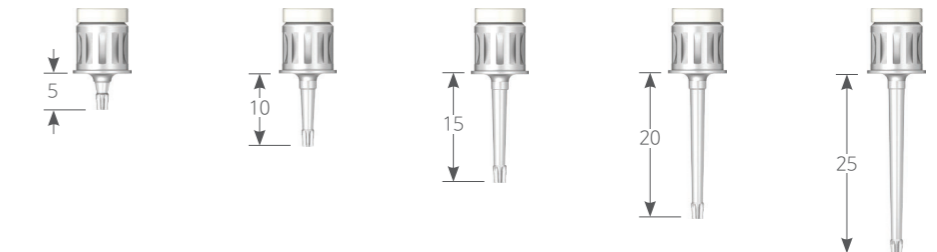
**K** Hex 1.2

Code	HD 1205A	HD 1210A	HD 1215A	HD 1220A	HD 1225A	HD 1230A
------	----------	----------	----------	----------	----------	----------



**K** Torx 1.7

Code	HD 1705A	HD 1710A	HD 1715A	HD 1720A	HD 1725A
------	----------	----------	----------	----------	----------



# Surgical Tool

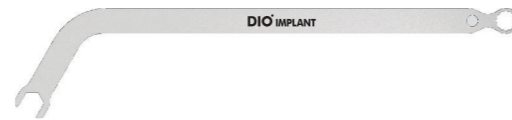
## Depth Gauge



**K** Unit mm | Scale 1 : 0.7

Code	DPE 2050
------	----------

## Open Wrench



**K** Unit mm | Scale 1 : 0.7

Code	OW 002
------	--------

## Ratchet Wrench



**K** Unit mm | Scale 1 : 0.7

Code	DRW 050
------	---------

## Torque Wrench

- Used for fixture implantation or fastening screw
- Torque values (0, 15, 35, 50Ncm) are laser etched on handle
- Convenient disassembly for easy cleaning



**K** Sold separately  
Unit mm | Scale 1 : 0.7

Code	DTW 0060
------	----------

## Fixture Mount Driver Machine

● Sold separately

**K** Hex 2.5 Unit mm | Scale 1 : 1

Code	MHDC 2520	MHDC 2525
------	-----------	-----------



**K** Hex 3.0

Code	MHDC 3020	MHDC 3025
------	-----------	-----------

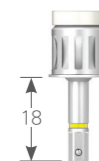
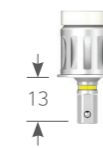


## Fixture Mount Driver Ratchet

● Sold separately

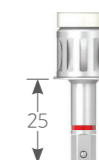
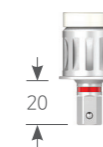
**K** Hex 2.5 Unit mm | Scale 1 : 1

Code	MHDR 2513A	MHDR 2518A
------	------------	------------



**K** Hex 3.0

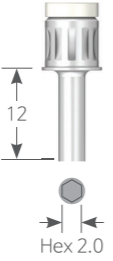
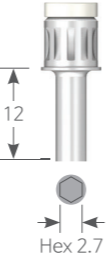
Code	MHDR 3013A	MHDR 3018A
------	------------	------------



# Surgical Tool

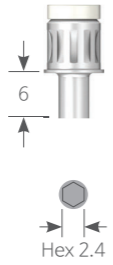
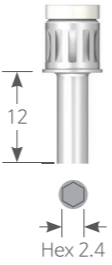
## Conical Abutment Screw Driver

**K** ● Sold separately  
Unit mm | Scale 1:1

Code	HD 2012A	HD 2712A
		

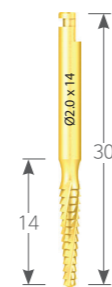
## Ball Abutment Driver

**K** ● Sold separately  
Unit mm | Scale 1:1

Code	HD 2406A	HD 2412A
		

## Lindemann Drill

- Easy to change direction of drilling
- Used to remove the ridge with extraction socket
- Ease of site preparation with extraction socket

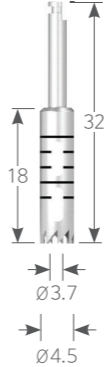
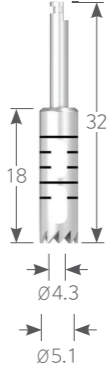
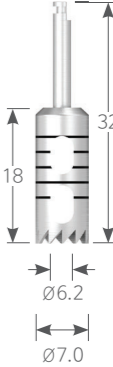


**K** ● Sold separately  
Unit mm | Scale 1:1.25

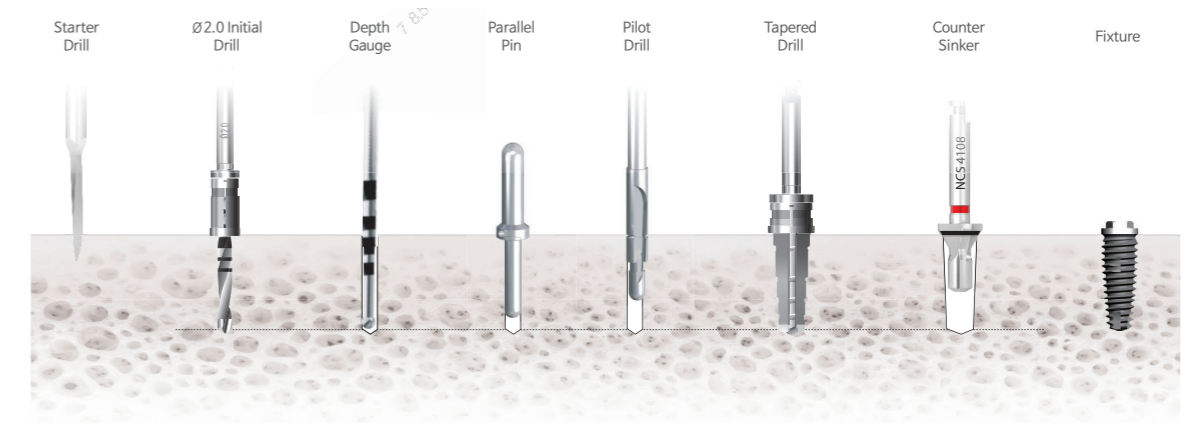
Code	RMH 2014S

## Trephine Drill

**K** ● Sold separately  
Unit mm | Scale 1:1

Code	TRD 4537	TRD 5143	TRD 7062
			

## Surgical Tool





**DIO** IMPLANT  
[www.dioimplant.com](http://www.dioimplant.com)